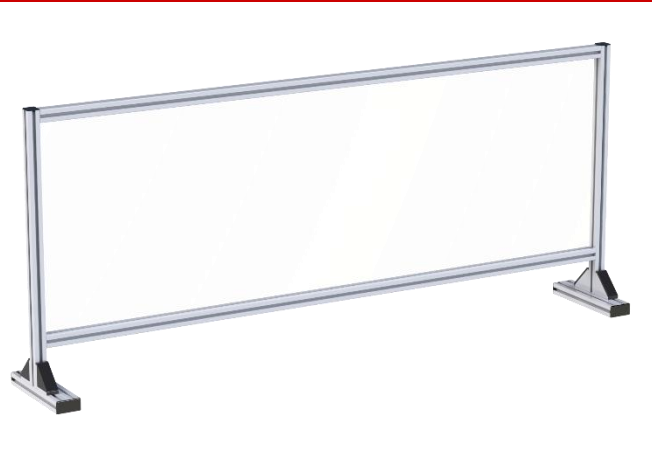


# WAPS<sup>®</sup> WORKPLACE HYGIENE SOLUTIONS



# INNOVATIVE WORKPLACE SOLUTIONS

## WAPS® WORKPLACE HYGIENE SOLUTIONS

### HygieneFLEX protective wall

from page 3



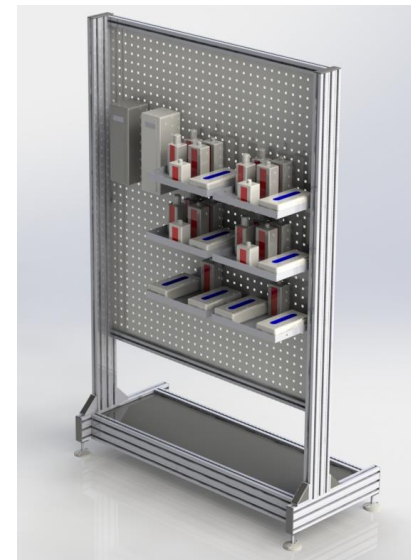
### HygieneFLEX-Mobile

from page 11



### HygieneFLEX station

from page 14



# HygieneFLEX protective wall

# WAPS®WORKPLACE

## HYGIENEFLEX PROTECTIVE WALL FIXED „LIGHT“

### Equipment details

Made of Würth WAPS® aluminum profile system

Dimensions (WxDxH) = approx. 1580 x 550 x 1900 mm

3 mm Makrolon sheet (transparent) enclosed in aluminum profile 30 x 30

Protective surface (LxH) = 1524 x 744 mm

Free-standing

### Application:

The HygieneFLEX protective wall reduces the transmission of pathogens when people are directly next to or opposite each other. For example, employees in assembly, logistics, the office or even in the reception area can work in a more protected way with the necessary distance. Manufactured from sturdy Würth WAPS® aluminium profile system, the timeless design of the safety barriers allows them to blend into almost any environment and give a tidy, professional appearance. The safety barriers can be set up quickly and positioned flexibly. Due to their straight, closed sides, they can be arranged in a row without gaps. They can be fastened to each other or, for example, to tables, but this is not necessary.

### Individual design on request

#### TIP! Stay flexible in the future!

If the protective wall is no longer needed to protect against pathogens, you can replace the Makrolon board with, for example, a magnetic or inscription board and thus use it as a meeting or shop floor board.



NEW

Lean design

# WAPS® WORKPLACE

## HYGIENEFLEX PROTECTIVE WALL FIXED

### Equipment details

Made of Würth WAPS® aluminium profile system  
Dimensions (WxDxH) = approx. 1600 x 550 x 1900 mm  
3 mm Makrolon sheet (transparent) framed in aluminium profile 40 x 40  
Protective surface (LxH) = 1520 x 740 mm  
Freestanding  
Adjustable plate feet  
Plate feet ensure stable and safe standing

**Art.-No. 1967701068**

### Application:

The HygieneFLEX protective wall reduces the transmission of pathogens when people are directly next to or opposite each other. For example, employees in assembly, logistics, the office or even in the reception area can work in a more protected way with the necessary distance. Manufactured from sturdy Würth WAPS® aluminium profile system, the timeless design of the safety barriers allows them to blend into almost any environment and give a tidy, professional appearance. The safety barriers can be set up quickly and positioned flexibly. Due to their straight, closed sides, they can be arranged in a row without gaps. They can be fastened to each other or, for example, to tables, but this is not necessary.

**Individual design on request**



**Solid construction**

### **TIP! Stay flexible in the future!**

If the protective wall is no longer needed to protect against pathogens, you can replace the Makrolon board with, for example, a magnetic or inscription board and thus use it as a meeting or shop floor board.

# WAPS® WORKPLACE

## HYGIENEFLEX PROTECTIVE WALL MOBILE „LIGHT“

### Equipment details

Made of Würth WAPS® aluminium profile system

Dimensions (WxDxH) = approx. 1580 x 550 x 1900

3 mm Makrolon sheet (transparent) enclosed in aluminium profile 30 x 30

Protective surface (LxH) = 1524 x 744 mm

Free-standing

4x steering castors (2x with brakes) ensure easy movement and positioning

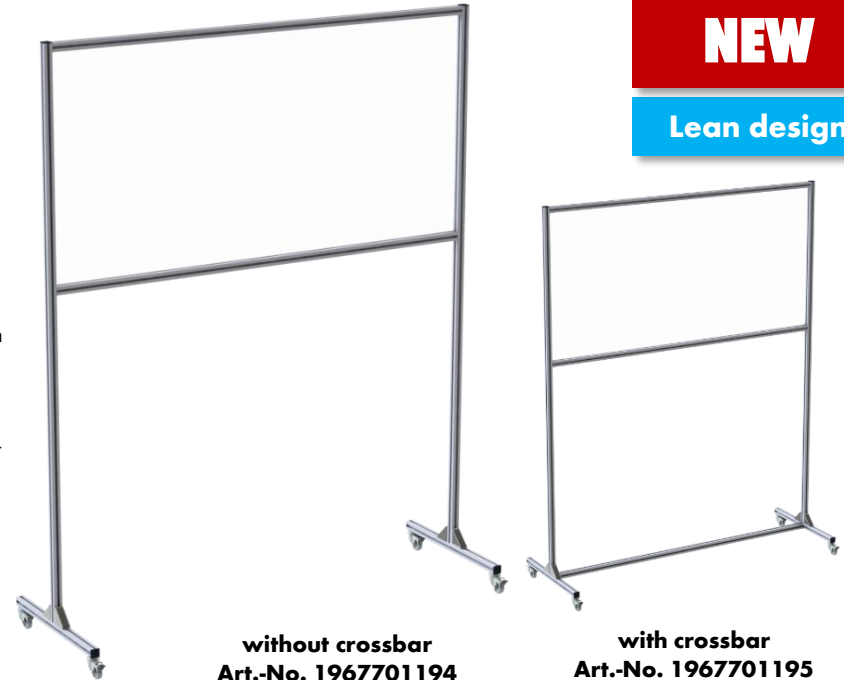
### Application:

The HygieneFLEX protective wall reduces the transmission of pathogens when people are directly next to or opposite each other. For example, employees in assembly, logistics, the office or even in the reception area can work in a more protected way with the necessary distance. Manufactured from sturdy Würth WAPS® aluminium profile system, the timeless design of the safety barriers allows them to blend into almost any environment and give a tidy, professional appearance. The safety barriers can be set up quickly and positioned flexibly. Due to their straight, closed sides, they can be arranged in a row without gaps. They can be fastened to each other or, for example, to tables, but this is not necessary.

### Individual design on request

#### TIP! Stay flexible in the future!

If the protective wall is no longer needed to protect against pathogens, you can replace the Makrolon board with, for example, a magnetic or inscription board and thus use it as a meeting or shop floor board.



without crossbar  
Art.-No. 1967701194

with crossbar  
Art.-No. 1967701195

# WAPS® WORKPLACE

## HYGIENEFLEX PROTECTIVE WALL MOBILE

### Equipment details

Made of Würth WAPS® aluminum profile system

Dimensions (WxDxH) = approx. 1600 x 550 x 1900 mm

3 mm Makrolon sheet (transparent) enclosed in aluminum profile 40 x 40

Protective surface (LxH) = 1520 x 740 mm

4x steering castors (2x with brakes) ensure easy movement and positioning

**Art.-No. 1967701069**

### Application:

The HygieneFLEX protective wall reduces the transmission of pathogens when people are directly next to or opposite each other. For example, employees in assembly, logistics, the office or even in the reception area can work in a more protected way with the necessary distance. Manufactured from sturdy Würth WAPS® aluminium profile system, the timeless design of the safety barriers allows them to blend into almost any environment and give a tidy, professional appearance. The safety barriers can be set up quickly and positioned flexibly. Due to their straight, closed sides, they can be arranged in a row without gaps. They can be fastened to each other or, for example, to tables, but this is not necessary.

**Individual design on request**

### TIP! Stay flexible in the future!

If the protective wall is no longer needed to protect against pathogens, you can replace the Makrolon board with, for example, a magnetic or inscription board and thus use it as a meeting or shop floor board.



# WAPS® WORKPLACE

## HYGIENEFLEX PROTECTIVE WALL STAND

### Equipment details

Made of Würth WAPS® aluminum profile system

Dimensions (WxDxH) = 1575 x 250 x 670 mm

3 mm Makrolon sheet (transparent) enclosed in aluminum profile 30 x 30

Protective surface (LxH) = 1515 x 490 mm

Pass-through at bottom (LxH) = 1515 x 120 mm

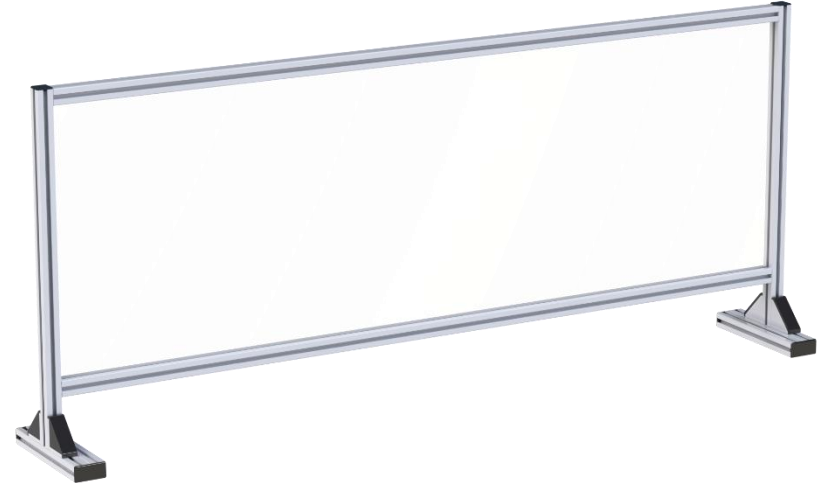
Free-standing

Profile frame ensures stable and secure standing on work surface

**Art.-No. 1967701070**

### Application:

The HygieneFLEX protective wall reduces the transmission of pathogens when people are directly next to or opposite each other. For example, employees in assembly, logistics, the office or even in the reception area can work in a more protected way with the necessary distance. Manufactured from sturdy Würth WAPS® aluminium profile system, the timeless design of the safety barriers allows them to blend into almost any environment and give a tidy, professional appearance. The safety barriers can be set up quickly and positioned flexibly. Due to their straight, closed sides, they can be arranged in a row without gaps. They can be fastened to each other or, for example, to tables, but this is not necessary.



### **TIP! Stay flexible in the future!**

If the protective wall is no longer needed to protect against pathogens, you can replace the Makrolon board with, for example, a magnetic or inscription board and thus use it as a meeting or shop floor board.

**Individual design on request**



# WAPS® WORKPLACE

## HYGIENEFLEX PROTECTIVE WALL CLAMPED

### Equipment details

Made of Würth WAPS® aluminum profile system

Dimensions (WxDxH) = 1100 x 150 x 800 mm

3 mm Makrolon sheet (transparent) enclosed in aluminum profile 30 x 30

Protective surface (LxH) = 1040 x 612 mm

Pass-through at bottom (LxH) = 1040 x 120 mm

With 2 x clamping device - clamping range 25 - 45 mm

Profile frame ensures stable and secure stand on work surface

**Art.-No. 1967701164**

### Application:

The HygieneFLEX protective wall reduces the transmission of pathogens when people are directly next to or opposite each other. For example, employees in assembly, logistics, the office or even in the reception area can work in a more protected way with the necessary distance. Manufactured from sturdy Würth WAPS® aluminium profile system, the timeless design of the safety barriers allows them to blend into almost any environment and give a tidy, professional appearance. The safety barriers can be set up quickly and positioned flexibly. Due to their straight, closed sides, they can be arranged in a row without gaps. They can be fastened to each other or, for example, to tables, but this is not necessary.



**NEW**

**Individual design on request**

# WAPS® WORKPLACE

## HYGIENEFLEX PROTECTIVE WALL FRAMELESS

### Equipment details

Dimensions (WxDxH) =720 x 120 x 550 mm  
3 mm Makrolon sheet (transparent)  
Protective surface (LxH) =720 x 520 mm  
Framed in aluminium angle 60 x 60 x 30 mm

**Art.-No. 1967701165**

### Application:

The HygieneFLEX protective wall reduces the transmission of pathogens when people are directly next to or opposite each other. For example, employees in assembly, logistics, the office or even in the reception area can work in a more protected way with the necessary distance. Manufactured from sturdy Würth WAPS® aluminium profile system, the timeless design of the safety barriers allows them to blend into almost any environment and give a tidy, professional appearance. The safety barriers can be set up quickly and positioned flexibly. Due to their straight, closed sides, they can be arranged in a row without gaps. They can be fastened to each other or, for example, to tables, but this is not necessary.

**Individual design on request**



# WAPS®WORKPLACE

## INDIVIDUAL DESIGN EXAMPLES



# HygieneFLEX-Mobile

# WAPS® WORKPLACE

## HYGIENEFLEX-MOBILE

### Equipment details

Made of Würth Aluminium Profile System (WAPS®)

Dimensions (LxWxH) = 785 x 520 x 1590 mm\*.

4x swivel castors (2x with parking brake)

2x comfort handles on the sides

Load capacity: max. 300kg

Closed floor (8mm hard foam plate) with anti-slip mat

Usable on both sides

Front with 3 levels CLIP-O-FLEX® 440 mm

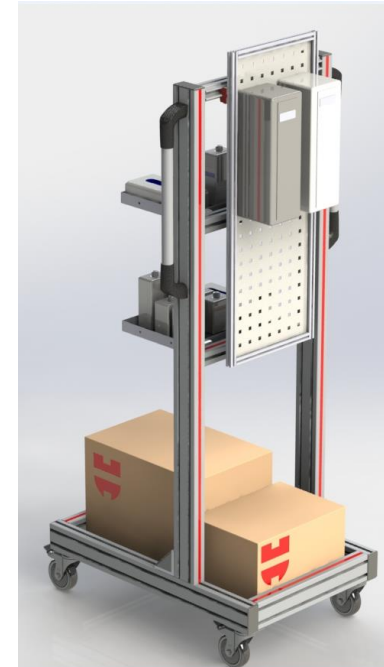
Rear with 1 level CLIP-O-FLEX® 440 mm (rear)

Note: Basic trolley without accessories!

**Art.-No. 1967701061**

### Application:

With the help of our flexible CLIP-O-FLEX® suspension system, you can equip the HygieneFLEX-Mobil modularly with different components to provide hygiene articles for your employees. Simply attach dispenser systems from Würth (or your own) to the profile or the optionally available perforated plate wall. Use our CLIP-O-FLEX® shelves to create storage space where it is needed.



**Individual design on request**

# WAPS® WORKPLACE

## HYGIENEFLEX-MOBILE

### Optional CLIP-O-FLEX® components:

CLIP-O-FLEX® tray 345x260mm (Würth Art.-No.: 0960070605) for filing and storing daily requirements, e.g. for disinfectants, gloves, protective masks, etc.

CLIP-O-FLEX® Perfoflex® perforated plate 394 x 812mm (Würth-Art.-No.: 1967700671) for the rear attachment of disinfectant dispensers and other equipment via hook systems

CLIP-O-FLEX® Wasteflex disposal container 9 litres (Würth-Art.-No.: 1967700077), e.g. for the disposal of used hygiene articles

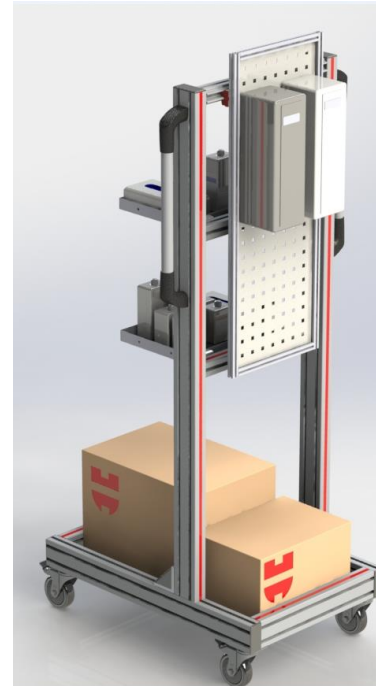
### Equipment options with WÜRTH hygiene products\*:

- Disposable gloves
- Respirator mask
- Disinfectants
- Hand care cream
- Dispenser system for disinfectant, hand care cream, soap, etc.

You will find all designs in our Online-Shop.

Get in touch with our specialists in the field of occupational health and safety or your contact persons in the office and field service!

**Individual design on request**



### Modular selectable

CLIP-O-FLEX® level on one side, length 440 mm  
**Art.-No. 1967701062**

CLIP-O-FLEX® level on both sides, length 440 mm  
**Art.-No. 1967701063**

CLIP-O-FLEX® level under handle, length 400 mm  
**Art.-No. 1967701064**

Equipment example: with 2x CLIP-O-FLEX® tray (Würth Art.-No. 0960070605) and 1x CLIP-O-FLEX® Perfoflex® perforated sheet (Würth Art.-No. 1967700671)

# HygieneFLEX-Station

# WAPS® WORKPLACE

## HYGIENEFLEX-STATION

### Equipment details (Art.-No.: 1967701065):

Made of Würth Aluminium Profile System(WAPS®)  
Dimensions (L x W x H): approx. 1310 x 650 x 2000 mm  
Flexible and modular assembly  
Perforated plate framed in aluminium profile Series B 120 x 40L  
2 levels CLIP-O-FLEX® (top and bottom on cross profile)  
Ballast plate steel powder coated (rear)  
with adjustable feet for floor anchoring

**Art.-Nr. 1967701065**

### Application:

Fit different modular components on the perforated sheet wall using hook systems or on our flexible CLIP-O-FLEX® suspension system and thus provide hygiene articles for your employees.  
Use our CLIP-O-FLEX® shelves to create storage space where it is needed.

**Assembly with optional CLIP-O-FLEX® components and WÜRTH hygiene articles!**

**Individual design on request**





# WAPS® WORKPLACE

## MULTIFUNCTIONAL WALL WITH HYGIENEFLEX-STATION



### Equipment details

Made of Würth Aluminium Profile System (WAPS®)

4 individual wall elements

Dimensions: 4 x 1,310 mm = 5,240 mm x depth approx. 650 mm x height 2000 mm

"Multi-functional wall with hygiene station"

Freestanding

Either standing alone

or interconnected by 4 elements:

1. fire protection (red),
2. occupational safety (blue),
3. first aid (green),
4. hygiene (yellow)

Colour marking by cover strips for profile grooves

Ballast plates (rear) for stability

**Art.-No.1967701067**

### Application:

Use the multi-functional wall as a central point of contact for the provision of information and protective material on fire protection, occupational safety, first aid and now hygiene.

The elements can be set up individually or together, e.g. as a 2 or 4-parts unit.

Individual design on request

# INNOVATIVE WORKPLACE SOLUTIONS

## FURTHER INFORMATION



Further solutions and information on bins, CLIP-O-FLEX®, individual shadow boards OPT-I-STORE® and individual workplaces can be found in our catalogue "Innovative Workplace Solutions"

[https://www.wuerth-  
industrie.com/web/media/pictures/wuert  
hindustrie/unternehmen/download\\_center/  
r/Catalogue\\_IWS\\_EN.pdf](https://www.wuerth-industrie.com/web/media/pictures/wuert<br/>hindustrie/unternehmen/download_center/Catalogue_IWS_EN.pdf)



The individual components of profiles and connectors of the Würth Aluminium Profile System (WAPS®) for self-assembly can be found in our brochure "WAPS®Components"

[https://www.wuerth-  
industrie.com/web/media/pictures/wue  
rthindustrie/unternehmen/download\\_center/  
aluprofilsystem-waps.pdf](https://www.wuerth-<br/>industrie.com/web/media/pictures/wue<br/>rthindustrie/unternehmen/download_center/<br/>aluprofilsystem-waps.pdf)

# INNOVATIVE WORKPLACE SOLUTIONS

## CONTACT DETAILS



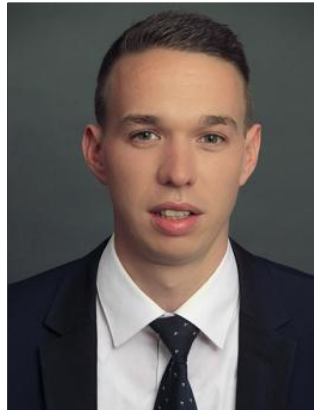
**Matthias Mayer**  
Head of Division / Specialist

Phone: +49 7931 91-3005  
Mobile: +49 170 633 8760  
matthias.mayer@wuerth-industrie.com



**Sandra Vogeltanz**  
Inside Sales

Phone: +49 7931 91-1042  
sandra.vogeltanz@wuerth-industrie.com



**Alexander Benz**  
Specialist / Sales Force

Telefon: +49 7931 91-2424  
Mobile: +49 170 633 2424  
alexander.benz@wuerth-industrie.com



**Annika Auler**  
Inside Sales

Phone: +49 7931 91-3278  
annika.auler@wuerth-industrie.com



**Dennis Kuch**  
Trainee

Phone: +49 7931 91-3052  
dennis.kuch@wuerth-industrie.com

If you have any questions, please contact the above mentioned specialists directly or, of course, your known contact persons in the inside sales and sales force.

**STAY WELL!**

